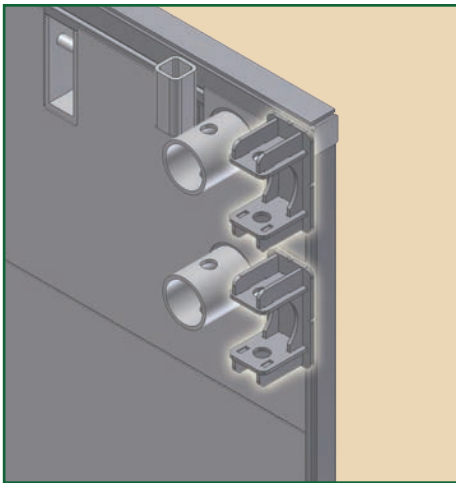


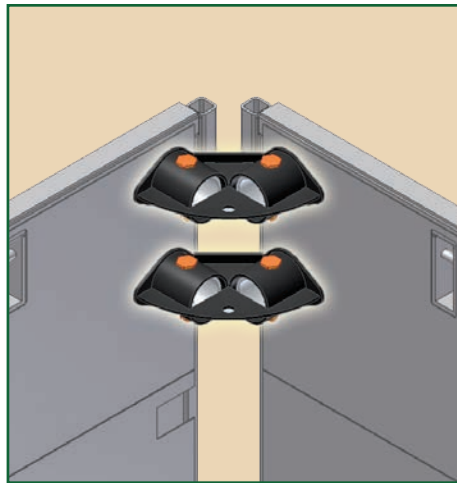
Accessories

Innovative Accessories for Steel Trench Shields



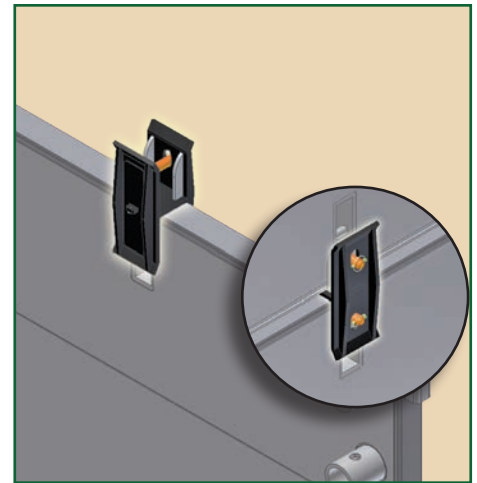
EC Brackets (Option)

End Panel Connector (EC) brackets are a quick and easy way to add three or four-sided protection to any trench shield. EC brackets secure to the adjoining sidewall's spreader collars.



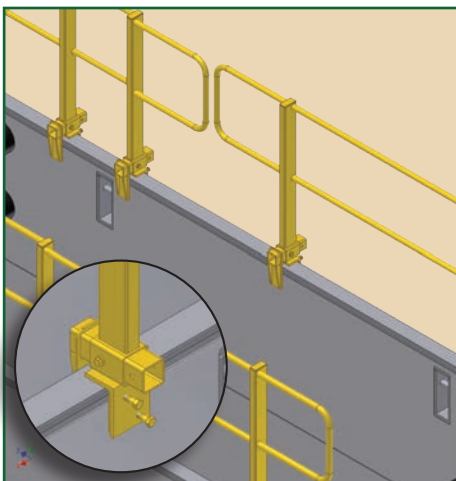
Corner Brackets

A set of four corner brackets (patent pending) allow for the construction of four-sided shields using standard trench shield sidewalls.



Stack Brackets

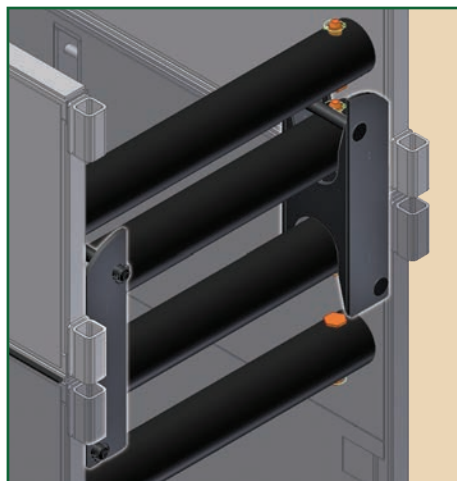
Stack brackets are perfect for securing stacked four-sided shields or other configurations where stacking pockets or Fast Stack™ can not be utilized. The brackets are secured on the trench box sidewall's lifting lugs.



Guard Rail

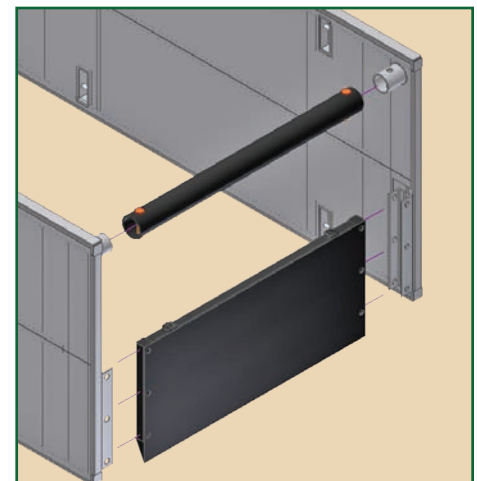
Efficiency's new guard rail is an easy, OSHA compliant fall protection device. Guard rails come in 4, 6, and 10 foot lengths, and fit 3-8 in. trench shield sidewalls.

**Fall Protection Manual available at www.encyproduction.com*



Fast Stak™

Fast Stak™ brackets allow shields to be stacked, then quickly and easily secured. The brackets are attached to the sidewalls or spreaders depending on the chosen design.



Mud Plate

Efficiency's innovative 3-pipe spreader system with mud plate offers excellent protection against water, mud, and sand encroachment into the trench.